

DETAILS:

Product ID: HMILP6X6 (CHG-LP 6BTB)

Description: Ladder style door pull - 6" Back-to-Back

HMI

4795 Shepherdsville Road

Louisville, KY 40218

Tel: 502-969-4059

Fax: 800-313-4195

hmiglass.com

SPECIFICATIONS:

Glass Thickness: 1/4" (6mm) to 1/2" (12mm)

Material: Tubular brass

Holes: Requires 1/2" holes at 6" center

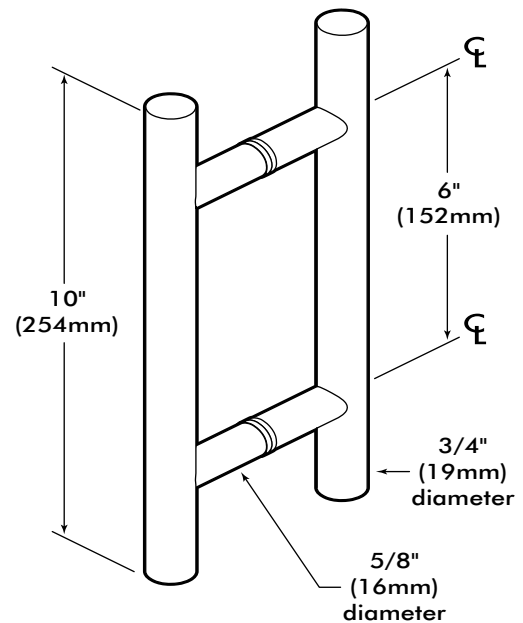
Includes: Stainless steel installation hardware,
gaskets & Allen wrench

AVAILABLE FINISHES: *

- CH - Chrome
- DA - Dark Anodized Oil Rubbed Bronze
- GO - Gold (brass)
- MB - Matte Black
- CB - Champagne Bronze
- NI - Brushed Nickel
- PN - Polished Nickel
- RO - Roman Bronze
- OB - Oil Rubbed Bronze (painted)

NOTES:

- For use only with tempered 1/4" to 1/2" glass
- Never use abrasive cleaners on the finish as they may damage the finish.



DRAWINGS NOT TO SCALE